

Water Basin Insert, With Fire Feature Option For Outdoor Use Only

Select Models

Certified to
ANSI Z21.97-2014
CSA 2.41-2014
CSA C22.2 No. 108-01-2010



Installation

We suggest that our fire products be installed by professionals that are locally licensed by the authority having jurisdiction in gas piping.

Service



We suggest that our fire products be serviced by a professional certified in the US by the National Fireplace Institute (NFI) as NFI Gas Specialists.

If your system includes an HPC fire feature you must comply with the instructions included for the fire feature.

Any system utilizing any fire affect is for outdoor use only and must comply with HPC clearance and installation instructions for a fire feature. If you are unsure of what these clearances and instructions are they are outlined in our fire pit instructions which are available on our website or you can contact your dealer.

This product is not for use inside another body of water.

INSTALLER: Leave this manual with the appliance.
CONSUMER: Retain this manual for future reference.

⚠ WARNING: FOR OUTDOOR USE ONLY

⚠ WARNING

- Improper installation, adjustment, alteration, service, or maintenance can cause injury or property damage. Read the installation, operating, and maintenance instructions thoroughly before installing or servicing this equipment.

Instructions are also available at
www.HPCfire.com

Index:

1) General Information
2) Selecting the Location
3) Construction Of The Enclosure
4) Installation Of the Water Feature
5) Media

Product Specific Information
6) Parts List
7) Water Basin Operation
8) Maintenance
9) Troubleshooting
10) Replacement Parts
11) Warranty
12) Clearances, section 12, figure 1&2
13) Electronic ignition fire pit information

1) General Information

Please carefully follow the instructions in this manual to prevent personal injury or property loss. Instructions are updated as needed. It is the installer’s responsibility to periodically review instructions for applicable updates.

The steps listed as:

WARNINGS: Contains information critical to the safe installation and operation of the Fire and Water.

WARRANTY REQUIREMENT: Must be strictly followed to qualify for product warranty.

Warranty will be void if not followed.

IMPORTANT: Are notes and insights to help ensure product satisfaction and serviceability.

WARNING: It is the installer’s responsibility to ensure a safe installation and to educate the end user as to proper operation. Leave this manual with the end user.

WARNING: Never alter product or configuration in any way.

WARNING: FOR REMOTE CONTROL /SHUTDOWN TIMER USE: Including but not limited to wall switches, hand held devices such As (cel phones, key fobs, remote controllers, timer controller, ect), business and whole house automated control systems. It is the user’s responsibility to comply with the following guidelines:

- 1) Visual inspection
 - a. Visually ensure all covers are removed,
 - b. Visually ensure that the product is clear of people and any foreign debris prior to start-up
 - c. Visually ensure that the product is safe to start
- 2) Ensure product is monitored by a responsible adult during use.
- 3) When not in use, ensure power is off to the product to avoid accidental start-up of the product

WARNING: Not for use with any kind of automatic start-up timer.

WARNING: Product is not for use with small LP Tanks and must utilize permanent fixed piping for fuel supply.

WARNING: It is the responsibility of the installer to follow:

- o The *National Fuel Gas Code, ANSI Z223.1/NFPA 54* or *International Fuel Gas Code*.
- o The *National Electrical Code, ANSI/NFPA 70*.
- o Local Codes

WARNING: For units with the fire feature option only use gas/fuel type specified for this fire pit see label on the fire pit control Box. Verify correct gas/fuel type and pressure. Never use an alternative fuel to include bio-fuel, ethanol, lighter fluid or any other fuel. Gas pressure and type should be checked prior to use and installation.

Gas pressure and type should be checked prior to use and installation.

- Natural Gas Fire Pit:

Supply Pressure: Minimum: 3.5” W.C.; Maximum: 7.0” W.C.
Outlet Pressure: 3.5” W.C.

- LP Gas Fire Pit:

Supply Pressure: Minimum: 8.0” W.C.; Maximum: 11.0” W.C.
Outlet Pressure: 10.0” W.C

WARRANTY REQUIREMENT: Water Basin Tower total weight limit, which includes bowl, fire pit, media, and water is 150 lbs. maximum.

WARRANTY REQUIREMENT: Water Basin media total weight limitation is 250 lbs. maximum evenly distributed.

2) Selecting The Location & Site Preparation

WARNING: For outdoor use only and must comply with instructions and clearances.

WARNING: The water basin must be supplied power via GFCI protected circuits.

WARNING: FIRE OPTION - For a water basin with the fire option refer to the correct fire pit installation instructions contained in this document (section 13).

WARNING: This product is not for use inside another body of water.

WARRANTY REQUIREMENT: The water basin must be properly drained and winterized in areas that drop below freezing temperatures. (Section 8)

WARRANTY REQUIREMENT: Your location must have sufficient drainage to prevent damage to surrounding surfaces. HPC does not warranty against drips or leaks and is not responsible for any damage. It is the installer's responsibility to ensure there is enough drainage to allow for maintenance, repair, winterization or leak of the water basin.

IMPORTANT: Choose a location that allows easy access for installation and maintenance of the water basin.

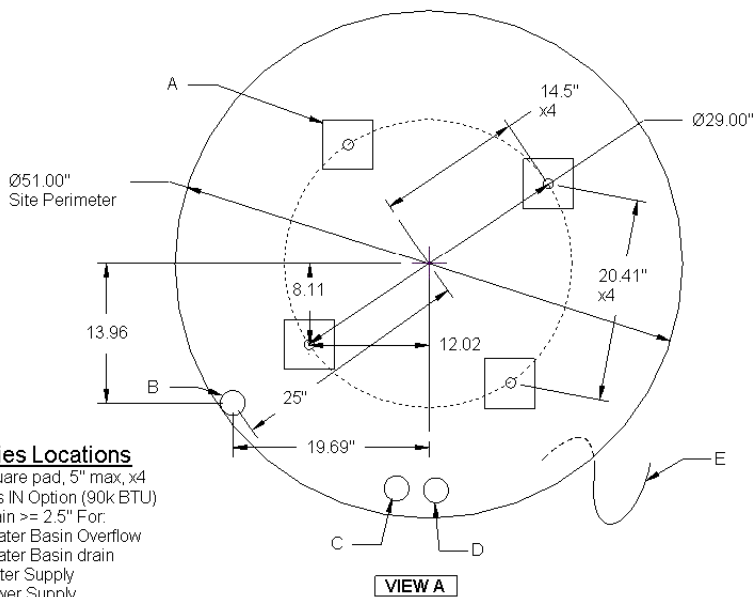
For Outdoor Use Only

Water Feature Only	With Optional Fire Feature
Control box must be above grade with adequate drainage	Control box must be above grade with adequate drainage
Refer to Section 12, Figure 2	Valve box must be above grade with adequate drainage
	Refer to Section 12, Figure 1 and Section 15

SITE PREPARATION RECOMMENDATIONS WATER BASIN INSERT WITH FIRE FEATURE OPTION

Site Preparation Recommendations

Utilities should be installed within the 51" site perimeter shown in view A



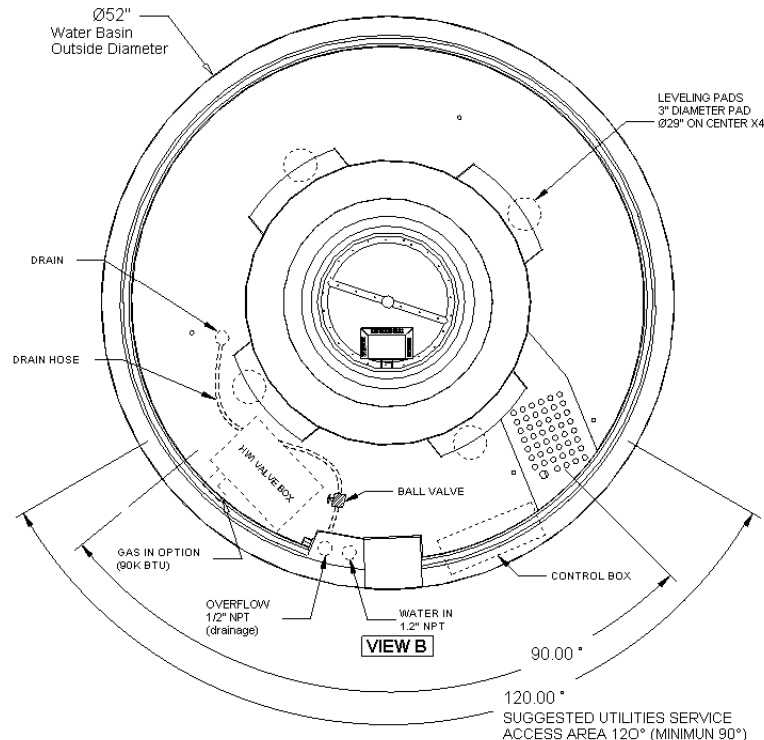
Utilities Locations

- A) Square pad, 5" max, x4
- B) Gas IN Option (90k BTU)
- C) Drain >= 2.5" For:
Water Basin Overflow
Water Basin drain
- D) Water Supply
- E) Power Supply
Ground Fault Circuit Interrupt (GFCI)
120VAC

NOTES

Item B (Gas IN supply) should not exceed 4 inches above grade in area specified.

Water Basin With Optional Fire Feature Utility Features Locations



3) Construction Of The Enclosure

WARNING: FIRE OPTION - For a water basin with the fire option follow the correct fire pit instructions contained in this document (section 13).

WARNING: The water basin must be supplied power via GFCI protected circuits

WARRANTY REQUIREMENT: The enclosure must be constructed on a stable surface.

WARRANTY REQUIREMENT: The weight of the water basin must be supported by the adjustable legs and not by any other portion of the basin.

WARRANTY REQUIREMENT: Make sure that the water basin is high enough that the electrical control box and optional fire pit valve box is above grade to prevent water damage to the controls inside the box.

WARRANTY REQUIREMENT: Your location must have sufficient drainage to prevent damage to surrounding surfaces. HPC does not warranty against drips or leaks and is not responsible for any damage. It is the installer's responsibility to ensure there is enough drainage to allow for maintenance, repair winterization or leak of the water basin.

WARRANTY REQUIREMENT: Do not rest or hang the enclosure on the water basin. The enclosure should be free standing.

IMPORTANT: Make sure that the enclosure structure is level.

Below are examples of access panel doors for the Evolution 360, which are necessary for service and maintenance. Refer to the site preparation recommendation diagram on pg.3 for access door opening information.



Stone enclosure on site



HPC® aluminum enclosure – sold separately

Installation

We suggest that our fire products be installed by professionals that are locally licensed by the authority having jurisdiction in gas piping.

4) Installation Of The Water Feature

WARNING: Do not adjust legs out past 6.25 inches or the water basin may collapse. (Figure 7)

WARRANTY REQUIREMENT: The water feature should be supported by adjustable legs when placed into enclosure.

WARRANTY REQUIREMENT: Soft water is recommended. Hard water may cause premature failure of components and the pump.

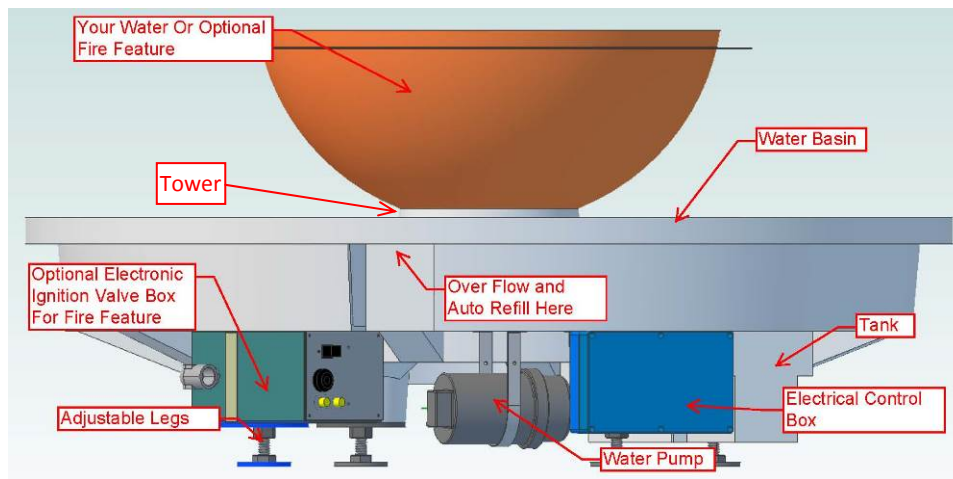
WARRANTY REQUIREMENT: Never lift the unit by the top water or fire bowl, tower, or ring. This will damage these parts.

WARRANTY REQUIREMENT: Ensure the water basin is able to be removed for regular service and maintenance. Never permanently mount in a way that it cannot be removed.

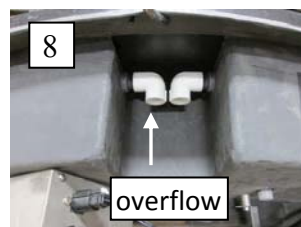
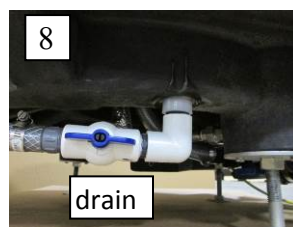
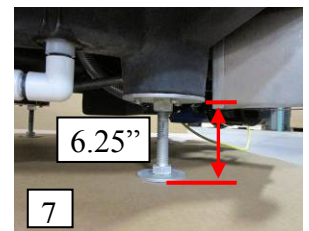
WARRANTY REQUIREMENT: Water basin tower total weight limit which includes bowl, fire pit, media, and water is 150lbs maximum.

WARRANTY REQUIREMENT: Water basin media total weight limitation is 250 lbs. maximum evenly distributed.

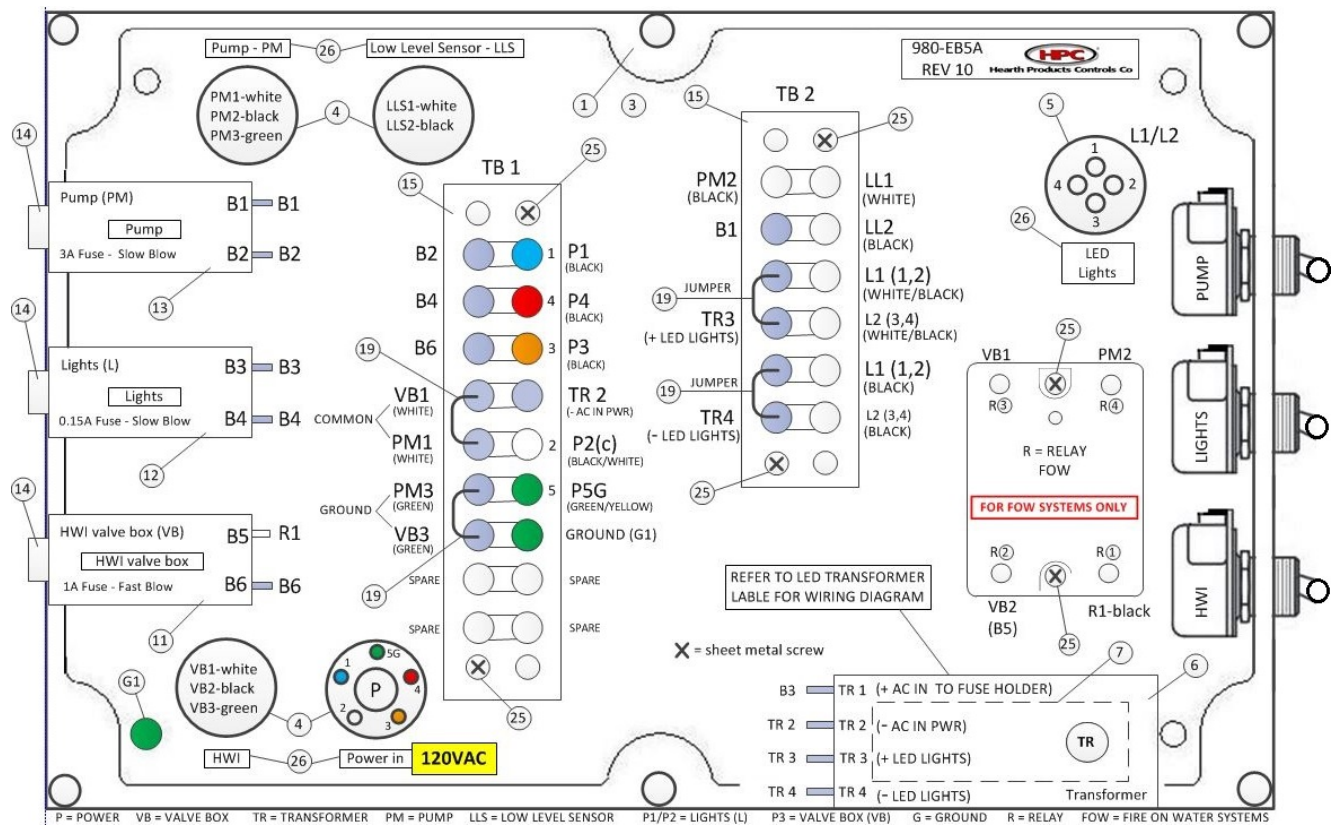
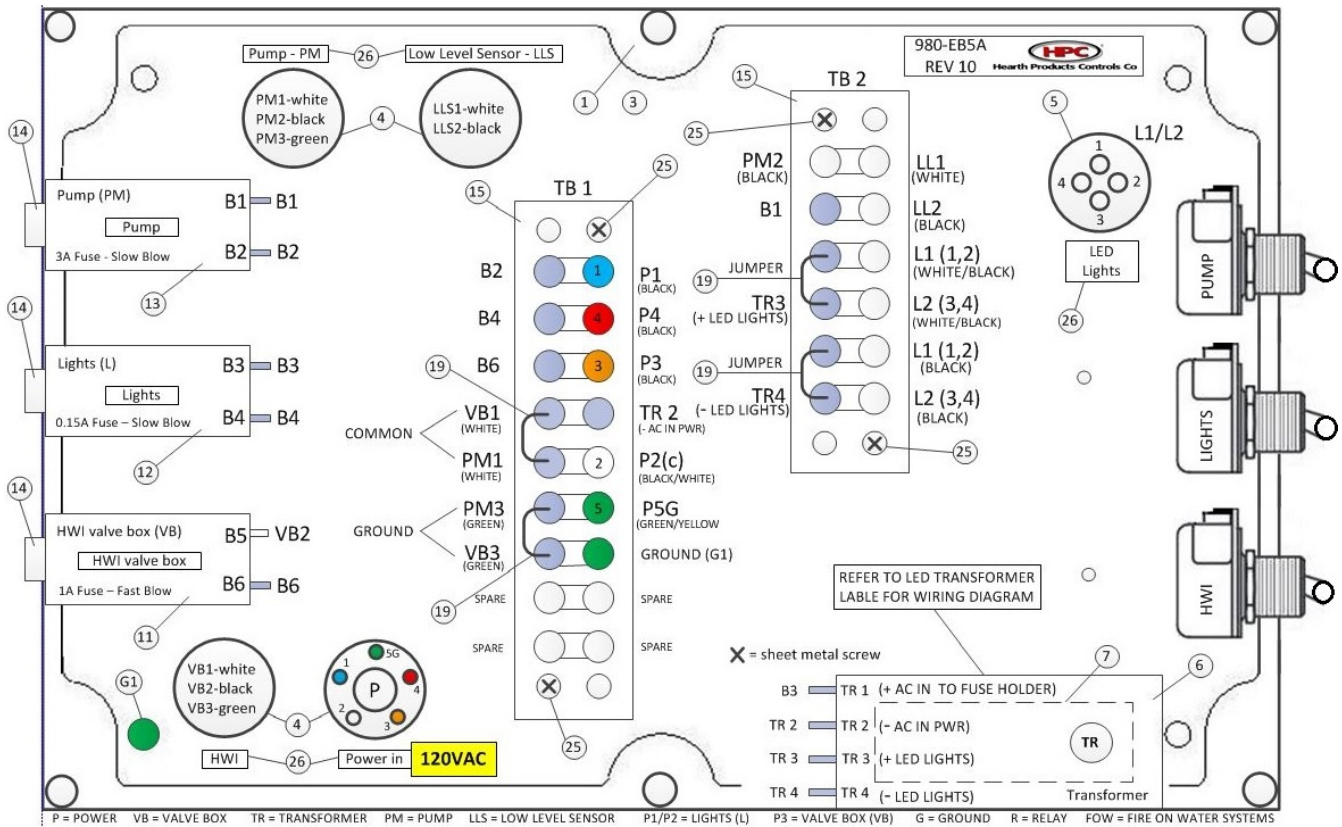
WARRANTY REQUIREMENT: Do not exceed 70 psi for water supply. This may damage the auto fill mechanism.



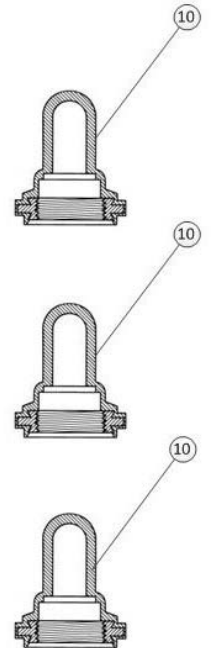
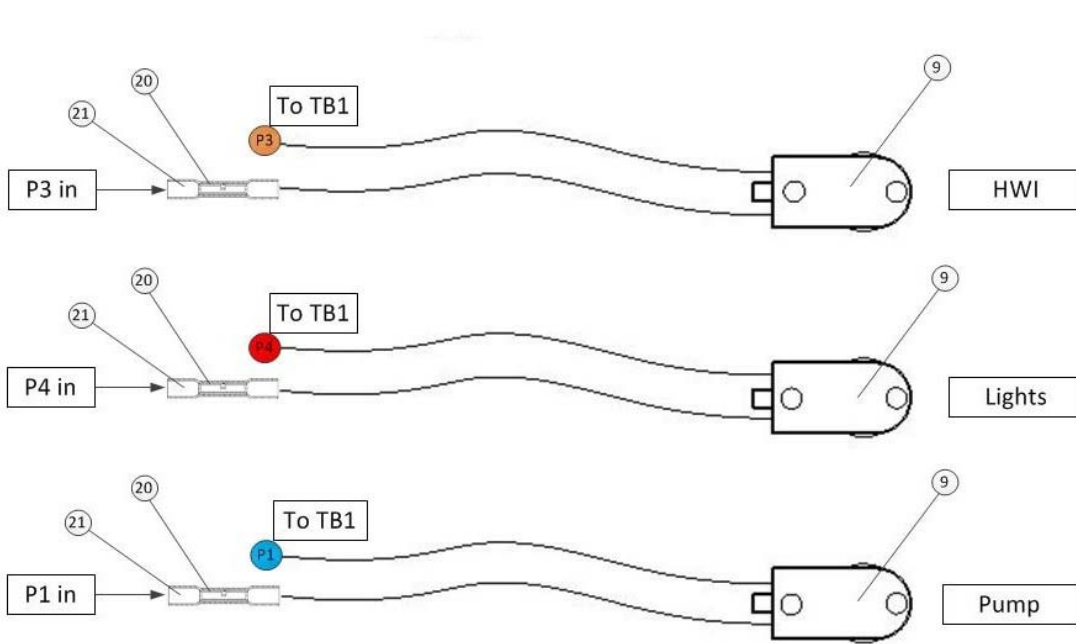
1. Position the control panel and pump so they can be accessed in the future.
2. Prepare the site.
 - a. Make sure the area is stable and level.
 - b. Ensure adequate drainage to allow for periodic maintenance and winterization that will not result in damage to the surrounding area.
 - c. Ensure electric is run to site on GFCI circuit and complies with all codes by the authority having jurisdiction.
 - d. For fire option ensure there is correct gas type, plumbed to site, of sufficient BTU, install by a certified installer and inspected by the authority having jurisdiction. Refer to the fire pit instructions included in section 13 of this document.
3. Uncrate your water basin being careful not to damage the unit.
 - a. Clean the basin of all debris left from the shipping crate.
4. Inspect your water basin for any visual damage or defect.
5. Set water basin in place. This will require at least 2 people.
6. When applicable mount your water feature to the basin tower using 1/4-20 stainless steel mounting bolts. The length of bolt will be determined by your water feature.
 - a. Do not exceed weight limitations outlined in section 4.
 - b. Do not torque over 5 ft./lbs.
7. Level your water feature using the adjustable legs.
 - a. The adjustable legs may also be used for minor height adjustments. Do not adjust out more than 6.25" from the bottom of the flange to the bottom of the foot or the feature may collapse.(Figure 7)
 - b. Make major height adjustments with block that is larger than the feet and sufficiently sturdy that there is not risk the unit will fall.
 - c. Adjust the basin to level condition first.
 - d. After the basin is level check the water feature for level.
 - i. If your water feature is made of copper it may be possible to make some leveling adjustment by carefully adjusting the bowl itself.
 - ii. If it is not possible to adjust the water feature then make the water feature level adjustments using the adjustable legs.
8. Hook up the basin drain and the overflow drain to the onsite drainage system. (Figure 8)
 - a. Your system will require regular service and or winterization.
 - b. Include a shutoff valve for the basin drain that is convenient to access.



Control Box Wiring Schematic With Fire Feature Option



Fuse / Breaker size and type may vary. Refer to product label or consult with HPC customer service.



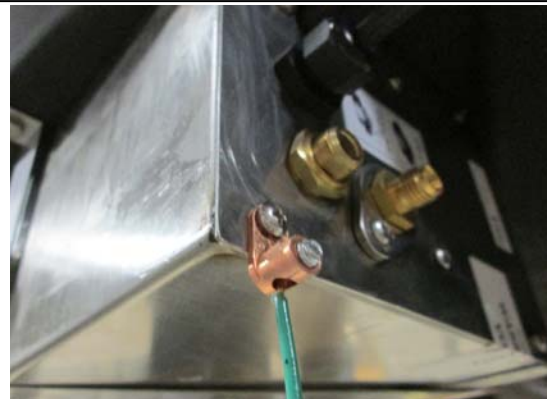
Toggle switch location may vary

Switch boots attach toggle switch to cover (outside)

Control Box with optional Fire Feature



Bonding lug on valve box with Fire Feature option



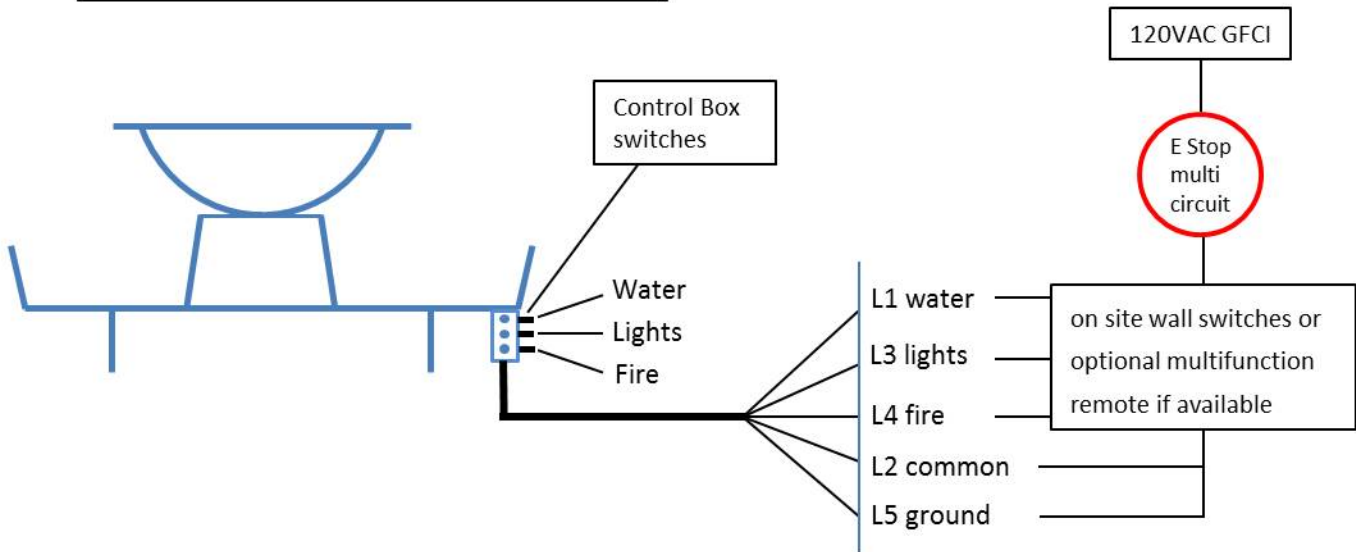
Bonding lug location for water only applications



Onsite Electrical Wiring Options

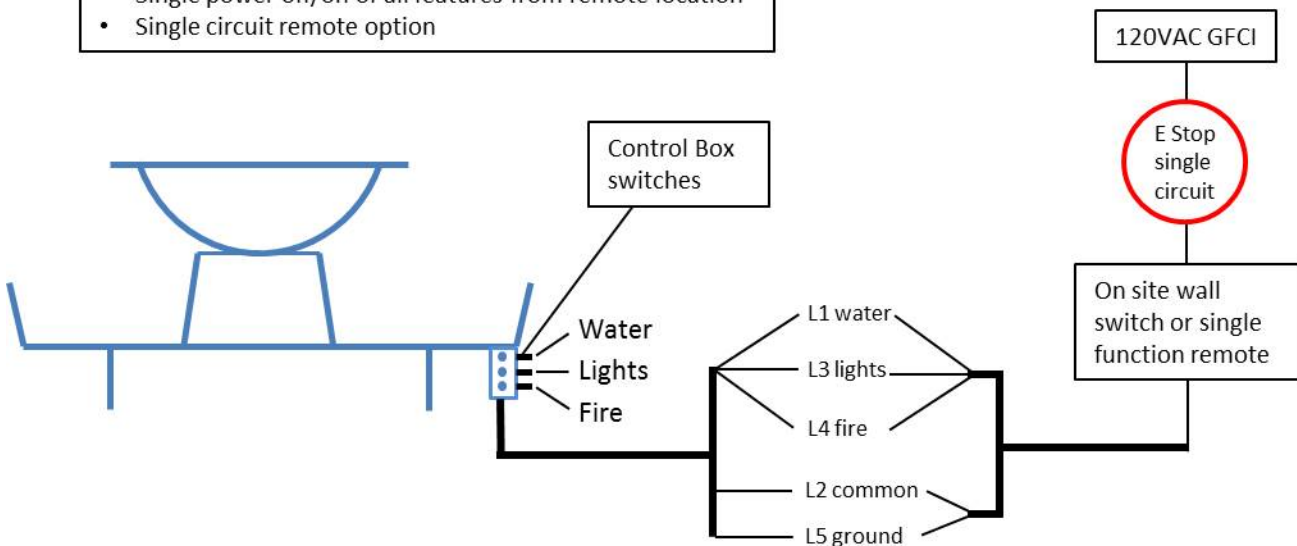
1

- Functionality**
- Individual function control at the feature
 - Individual function control at remote location
 - Multifunction circuit/remote option if available



2

- Functionality**
- Individual function control at the feature
 - Single power off/on of all features from remote location
 - Single circuit remote option



9. Hook up electrical cord to GFCI electrical supply following the wire diagram.
 - a. Your system can be wired so that one switch controls multiple functions or each function is controlled independently.
 - b. Refer to the wire labels on the 20 ft. 5 conductor power cord.
 - i. #1 = Pump (Water) - minimum 2.0 amp 120 VAC
 - ii. #4 = Lights – minimum 0.5 amp 120 VAC
 - iii. #3 = Valve Box (Optional Fire Feature) - minimum 1.0 amp 120 VAC

10. Turn on lights to ensure they work properly.

11. Hook up water to auto refill. (Figure 11) ***DO NOT TURN WATER ON YET**

- a. Take care not to twist the refill float or damage the unit by over torqueing.
- b. Use plumber tape or appropriate sealer for PVC.

12. Hook up gas supply for water basins with the fire option.

- a. Follow all fire pit instructions provided in the fire pit instruction.
- b. Use appropriate gas rated sealer.
- c. Do not use any sealers on flare fittings.
- d. Ensure all fittings are leak tested with leak reactor or gas detector.

13. Fill your water basin with water ½ full.

- a. Recommended to fill with external water source watching for leaks as the basin fills.
- b. Turn pump on then off several times for a few seconds to prime the pump.
- c. Turn pump on and confirm proper water flow.
 - i. Use level legs for fine tuning water flow.
- d. HPC does not warranty against minor leaks. Your water feature has been assembled and thoroughly inspected prior to shipping. There are many connections and in some cases handmade water features.
- e. Repair leaks as necessary then follow step 14.

14. Once step 14 is complete, fill water basin full (to bottom of overflow fitting)

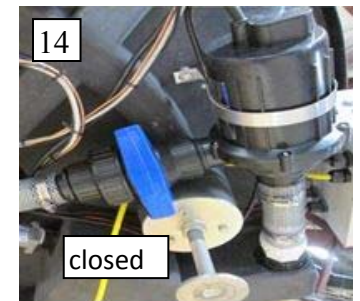
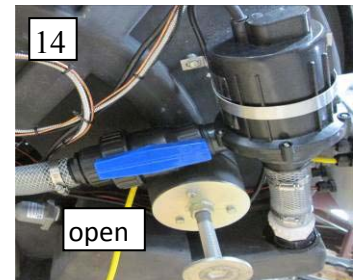
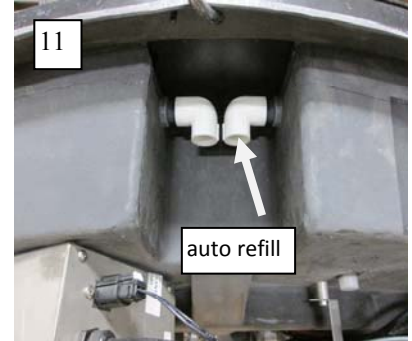
- a. Turn pump on and adjust the flow of your feature if needed using the ball valve provided (blue handle). Not all units have ball valves.
 - i. It is recommended to not close off the ball valve more than ¼ turn (photos). This may reduce the life of the water pump.

15. Turn on the water supply to the water basin.

- a. Allow the auto fill to finish filling the water basin.
- b. Check the refill system for leaks and repair as needed.
- c. Ensure the refill system turns off the water about 1 to 1.5” below the top of the basin, to the bottom of the overflow fitting.

16. Turn on the optional fire feature if applicable.

17. Finish your project as desired keeping in mind accessibility for maintenance and winterization.



5) Media

WARNING: FIRE OPTION - For optional fire feature follow the fire pit instructions contained in this document (section 13).

WARNING: Media for the water feature is NOT suitable to use as media for the optional fire feature. Use only approved media intended for use with fire appliances. Failure to follow may result in your media exploding.

WARNING: For water basin do not exceed a total weight of 250 lbs. maximum of media in your water basin evenly distributed.

WARRANTY REQUIREMENT: It is recommended to rinse your media thoroughly before putting it in your water basin. Your basin is equipped with a coarse filter for large debris only. Thoroughly cleaning your media will help keep your water clean and reduce silt build up in your system.

WARRANTY REQUIREMENT: Do not use media in the water feature less than 1 inch in size. Less than this may damage the water pump.

Your water basin is designed to have media installed on top of the basin liner. One layer of rock or stone is recommended and to not be less than 1” in diameter.

When placing media into your water feature the filter screen and liner must be installed to avoid damage to the low level sensor float and to keep media from entering the pump intake opening.

6) Parts

- a. Water Basin
- b. Optional Water Bowl
- c. Optional Fire Feature
- d. Instructions

7) Operation

WARNING: FIRE OPTION - If your feature includes a fire feature follow all procedures included with your fire pit contained in this document (section 13).

WARNING: For fire on water (FOW) features - Ensure the upper most bowl is full of water and that water is on and functioning normally before fire is turned on.

WARNING: When not in use turn off power supply, water supply and fuel supply when applicable to the unit.

WARNING: Water temperature may be elevated in some configurations.

WARNING: Leaves, sticks, wood, paper, clothing, food etc. should always be kept away from the water feature.

Apply Start-Up / Shut Down Label near the controls for your feature.

EVOLUTION 360 START UP

1. **STOP! Read the safety information on “What to Do If Smell Gas” (Pg. 1 section 13 of Fire Pit Instructions When Applicable).**
 2. Ensure product is clear of people, debris, that all covers are removed, and the feature is safe to start.
 3. Turn “ON” main electrical power, water and optional gas to the water basin.
 4. Ensure system is full of water.
 5. Turn on water, lights or fire as desired.
 6. Never alter the design of the fire pit.
 7. Ensure fire pit, children and patrons are supervised by a responsible adult that is familiar with emergency shut-down.
 8. Flammable materials should not be placed on or near the fire pit.
- Note: Some configurations may require water to be on before the optional fire feature will light.

EVOLUTION 360 SHUT DOWN

1. Turn off Water, Lights or applicable Fire Feature.

IMPORTANT: FOR REMOTE CONTROL USE: YOU MUST ALSO TURN OFF POWER TO ELECTRICAL OUTLET OR GAS TO FIRE PIT TO PREVENT ACCIDENTAL START.

2. After cooling cover fire pit.

8) Maintenance & Winterization


WARNING: Turn off Power, Gas, and Water for all maintenance activities.

WARRANTY REQUIREMENT: Do not use unapproved chemical additives to the water. Chemicals such as chlorine will reduce the pump life and void the warranty.

WARRANTY REQUIREMENT: The water feature must be winterized in areas that drop below freezing.

Service

We suggest that our fire products be serviced by a professional certified in the US by the National Fireplace Institute (NFI) as NFI Gas Specialists.



Water Conditioning:

- 1) The only chemical HPC has testing or recommends is Spa Foundations from Natural Chemistry. Apply 2 level teaspoons every 6 weeks to help maintain water clarity. Your application may vary. Too much may cause foaming.

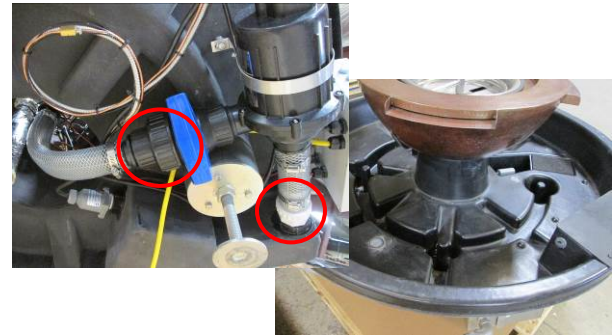
Maintenance:

- 1) For optional fire feature refer to fire pit instructions.
- 2) The water basin must be winterized in areas that drop below freezing temperature.
- 3) Keep any debris out of water basin, water feature or optional fire pit- clean as needed.
- 4) Clean filter as needed. Remove filter, rinse out with water and replace.
 - a. 1 x week filter cleaning is recommended. Your application may vary.



Winterization/Drain and Cleaning:

- 1) Turn off Water, Electric and Gas for units with optional fire feature.
- 2) Open the drain and allow all water to drain into your local drain.
- 3) Separate the union on the inlet/outlet side of the pump for drainage.
 - a. This will result in several gallons of water on the ground.
- 4) Remove the liner and filter and towel dry the tank and gussets.
- 5) Ensure all water is removed from basin, bowl, pump, & water lines.
- 6) Cover Unit.



9) Troubleshooting

Below are some potential causes and countermeasures to the symptoms indicated in bold. If still unable to resolve issue, please contact your retailer or certified technician.

WARNING: If your unit is equipped with an optional fire feature refer to HPC fire pit instructions included in section 13.

Water will not turn on

- | | |
|--|---|
| <ol style="list-style-type: none"> 1. Not Enough Water.
with low water level. 2. Breaker Tripped 3. No power. 4. Defective Pump. | <p>Your unit has a low level sensor and will not run</p> <p>Reset breaker on electrical control box.
Ensure there is power to the unit.
Replace Pump.</p> |
|--|---|

Lights will not turn on

- | | |
|---|--|
| <ol style="list-style-type: none"> 1. No Power. 2. Breaker Tripped 3. LED Driver defective 4. Defective Light Strip | <p>Ensure there is power to the unit.
Reset Breaker on electrical control box.
Replace LED Driver.
Replace Light Strip</p> |
|---|--|

Weak Water Flow

- | | |
|---|--|
| <ol style="list-style-type: none"> 1. Dirty Filter 2. Ball Valve Closed | <p>Clean Filter with water
Open ball valve on outlet side of pump.</p> |
|---|--|

12) Clearances

Figure 1

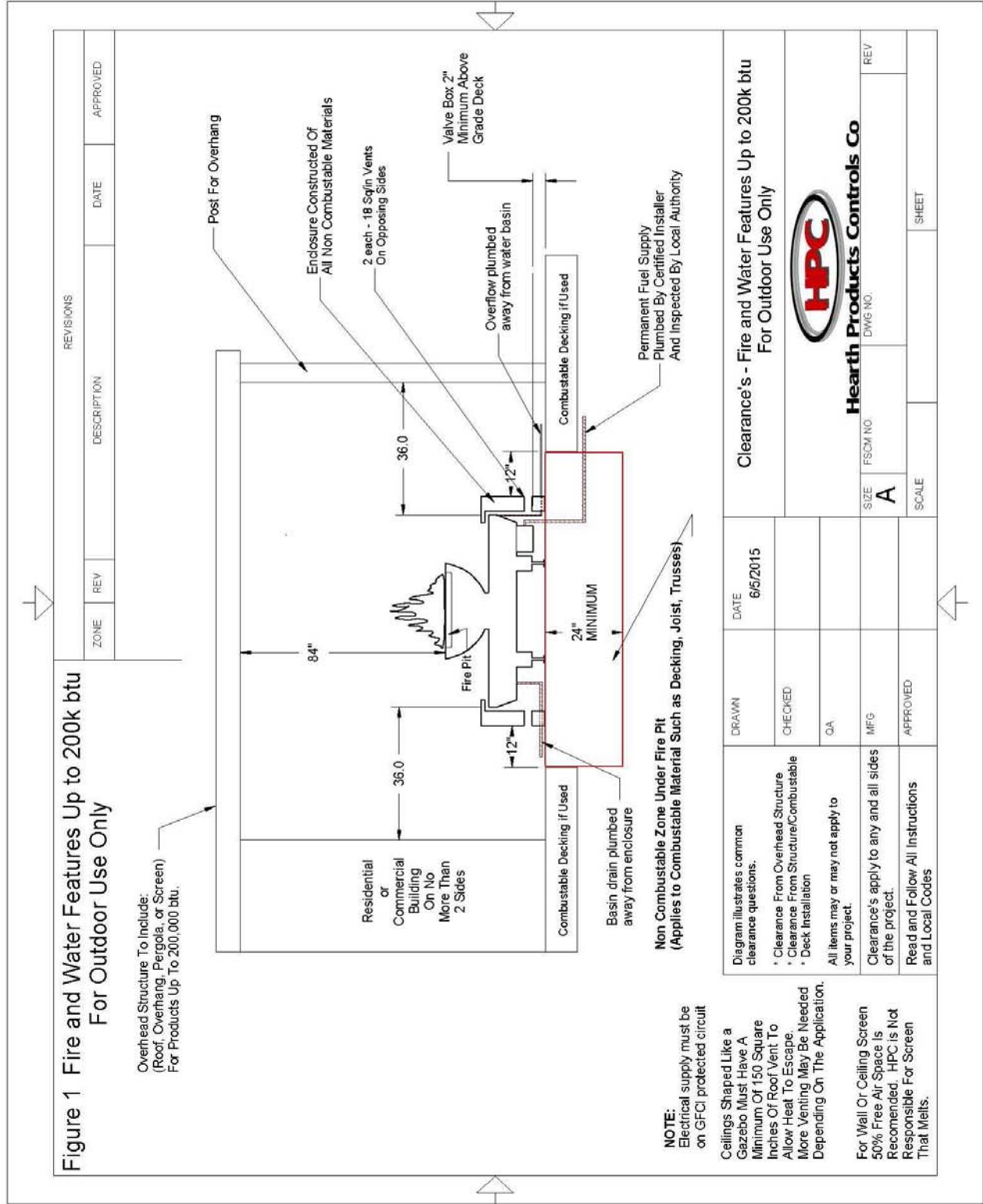
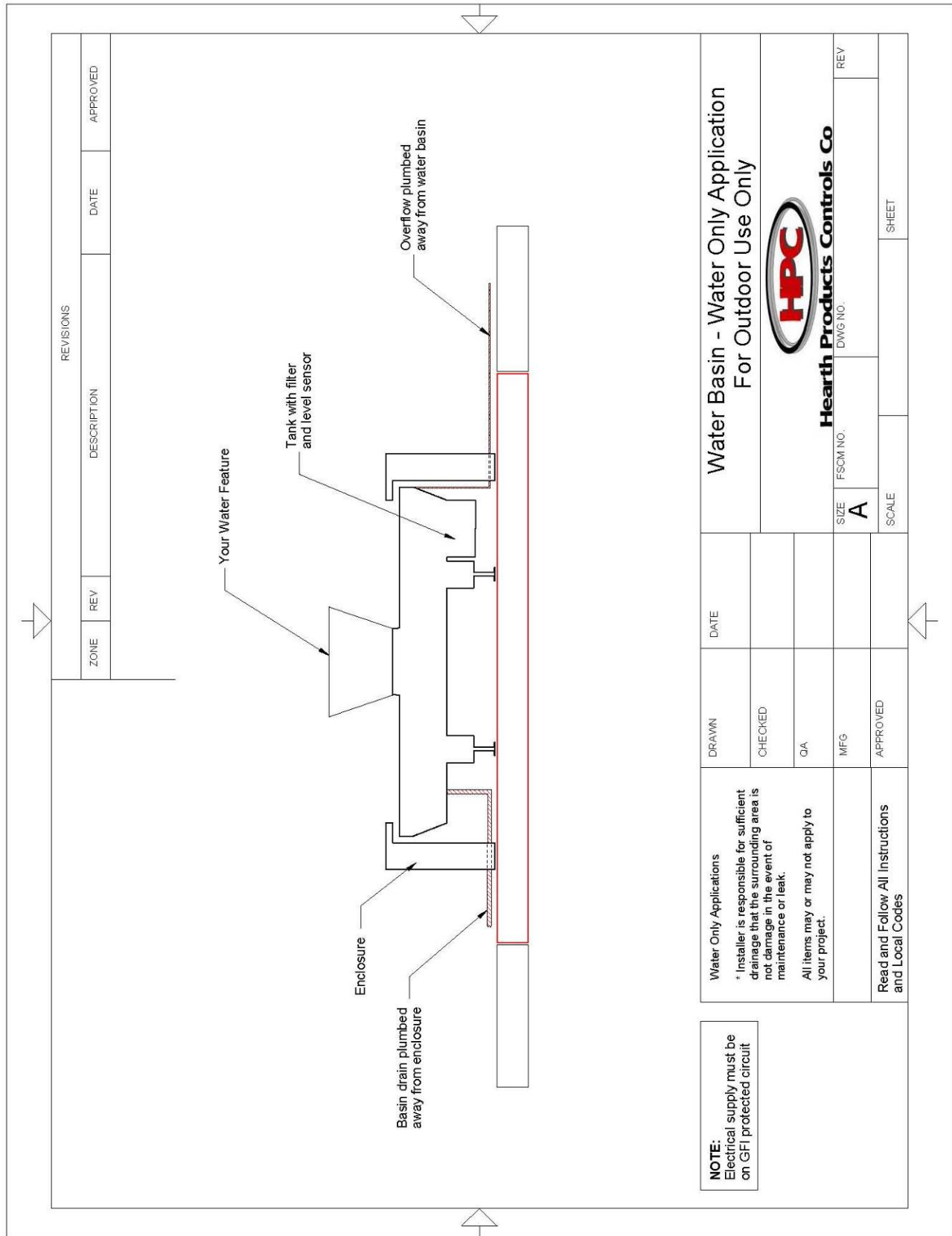


Figure 2



REVISIONS				
ZONE	REV	DESCRIPTION	DATE	APPROVED

NOTE: Electrical supply must be on GFI protected circuit	Water Only Applications	DRAWN	DATE	Water Basin - Water Only Application For Outdoor Use Only	
	* Installer is responsible for sufficient drainage that the surrounding area is not damaged in the event of maintenance or leak. All items may or may not apply to your project.	CHECKED		HPC Hearth Products Controls Co	
Read and Follow All Instructions and Local Codes	QA	MFG	APPROVED	SIZE	REV
				A	
				SCALE	SHEET
				FSCM NO.	DWG NO.

13) Electronic Fire Pit Option

Electronic Ignition Fire Pit Insert


Installation & Operation Instructions

Select Models
Certified to
ANSI Z21.97-2014
CSA 2.41-2014



Installation
 We suggest that our products be installed by professionals that are locally licensed by the authority having jurisdiction in gas piping.

Service
 We suggest that our products be serviced by a professional certified in the US by the National Fireplace Institute (NFI) as NFI Gas Specialists.




⚠ WARNING: FOR OUTDOOR USE ONLY

⚠ WARNING
 • Improper installation, adjustment, alteration, service, or maintenance can cause injury or property damage. Read the installation, operating, and maintenance instructions thoroughly before installing or servicing this equipment.

⚠ WARNING
 • Do not store or use gasoline or other flammable vapors and liquids in vicinity of this or any other appliance.
 • An LP-cylinder not connected for use shall not be stored in the vicinity of this or any other appliance.

⚠ DANGER
 If you smell gas:
 1) Shut off gas to appliance.
 2) Extinguish any open flame.
 3) If odor continues, keep away from appliance and immediately call gas supplier or fire department.

<p>⚠ DANGER</p>	<p align="center">CARBON MONOXIDE HAZARD</p> <p>This appliance can produce carbon monoxide which has no odor.</p> <p>Using it in an enclosed space can kill you.</p> <p>Never use this appliance in an enclosed space such as a camper, tent, car or home.</p>
	

INSTALLER: Leave this manual with the appliance.
CONSUMER: Retain this manual for future reference.

Index:

- 14) General Information
- 15) Selecting the Location
- 16) Construction of Enclosure
- 17) Installation of Fire Pit
- 18) Media

Product Specific Information

- 19) Parts List
- 20) Fire Pit Operation
- 21) Maintenance
- 22) Troubleshooting
- 23) Replacement Parts
- 24) Warranty

14) General Information

Instructions are also available at HPCfire.com

Please carefully follow the instructions in this manual to prevent personal injury or property loss. Instructions are updated as needed. It is the installer's responsibility to periodically review instructions for applicable updates.

The steps listed as:

WARNINGS: Contains information critical to the safe installation and operation of the fire pit.

WARRANTY REQUIREMENT: Must be strictly followed to qualify for product warranty.

Warranty will be void if not followed.

IMPORTANT: Are notes and insights to help ensure product satisfaction and serviceability.

WARNING: It is the installer's responsibility to ensure a safe installation and to educate the end user as to proper operation. Leave this manual with the end user.

WARNING: Never alter product or configuration in any way.

WARNING: FOR REMOTE CONTROL / TIMER USE: Including but not limited to wall switches, hand held devices such as (cellphones, key fobs, remote controllers, ect), business and whole house automated control systems. It is the responsibility of the user to comply with the following guidelines:

- 1) Visual inspection
 - a. Visually ensure all covers are removed,
 - b. Visually ensure that the product is clear of people and any foreign debris prior to start-up
 - c. Visually ensure that the product is safe to start
- 2) When not in use
 - a. Ensure power is off to the product to avoid accidental start-up

WARNING: Not for use with any kind of automatic start-up timer.

WARNING: We suggest that our products be installed by professionals that are locally licensed by the authority having jurisdiction in gas piping. We suggest that our products be serviced annually by a professional certified in the US by the National Fireplace Institute (NFI) as NFI Gas Specialists or in Canada by WETT (Wood Energy Technical Training). Installer must follow all instructions carefully to ensure proper performance and safety. Hearth Products Controls Company is not responsible for your actions.

WARNING: Product is not intended to be a starter for wood or any other combustibles and not intended for cooking use.

WARNING: It is the responsibility of the installer to follow:

- o The *National Fuel Gas Code, ANSI Z223.1/NFPA 54* or *International Fuel Gas Code*.
- o The *National Electrical Code, ANSI/NFPA 70*.
- o Local Codes

WARNING: Only use gas/fuel type specified for this fire pit see label on the fire pit control Box. Verify correct gas/fuel type and pressure. Never use an alternative fuel to include bio-fuel, ethanol, lighter fluid or any other fuel.

Gas pressure and type should be checked prior to use and installation.

- Natural Gas Fire Pit:
Supply Pressure: Minimum: 3.5” W.C.; Maximum: 7.0” W.C.
Outlet Pressure: 3.5” W.C.
- LP Gas:
Supply Pressure: Minimum: 8.0” W.C.; Maximum: 11.0” W.C.
Outlet Pressure: 10.0” W.C

15) Selecting the Location

WARNING: All fire pits, match lit kits, spark ignition, safety pilot and electronic ignition systems are designed and intended for outdoor use only.

WARNING: For electronic ignition models there must be an electrical shut off (wall switch or breaker) on the exterior of the fire pit or on adjacent wall to allow for emergency shutdown and maintenance.

WARNING: All fire pits must have a gas shutoff on the outside of the exterior of the fire pit to allow for emergency shut off and maintenance. The gas shutoff should not be used to adjust flame height.

WARNING: Select a location where the fire pit can be attended during operation. Never leave an operating fire pit unattended or by someone not familiar with its operation or emergency shut off locations.

WARNING: Both children and adults should be alerted to the hazards of high surface temperatures and should stay away to avoid burns and clothing ignition.

WARNING: Young children should be carefully supervised when they are in the area of fire pit.

WARNING: Clothing or other flammable materials should not be placed on or near fire pit.

WARNING: Fire pits create very high temperatures - Combustibles must be located far enough away that there is no risk of ignition.

IMPORTANT: It is recommended that material such as granite, marble or other dense stone be kept away from heat and especially flame due to risk of cracking. Manufacturer is not responsible for damage.

For Outdoor Use Only

Water Feature Only	With Optional Fire Feature
Control box must be above grade with adequate drainage	Control box must be above grade with adequate drainage
Refer to Section 12, Figure 2	Valve box must be above grade with adequate drainage
	Refer to Section 12, Figure 1 and Section 15

16) Construction of the Enclosure

WARNING: For electronic ignition models there must be an electrical shut off (wall switch or breaker) on the exterior of the fire pit or on adjacent wall to allow for emergency shutdown and maintenance.

WARNING: All fire pits must have a gas shutoff on the outside of the exterior of the fire pit to allow for emergency shut off and maintenance. The gas shutoff should not be used to adjust flame height.

WARNING: Use non-combustible materials and construction for gas supply, power and enclosure. A metal outlet box should be used inside the enclosure for electronic ignition models.

WARNING: The enclosure must incorporate 1 vent on at least two opposing sides (2 vents total) at a minimum size of 18 sq. inches of total free area each (Example: 3”x 6” or larger). Installation of the vents in the mid to lower area of the enclosure is recommended. Ventilation allows for heat and or residual fuel to escape. Failure to properly vent enclosure may result in the fire-pit overheating or explosion. Overheating could lead to heat damage to internal components. Some enclosures may require more ventilation based on material, size, and extended use. The vent may work as a drain as well when installed at bottom sidewall to prevent water build up.

WARNING: The interior void space of the enclosure surrounding the valve box cannot be filled with any material (gravel, crushed rock, concrete, etc.)- It is a requirement to have a minimum of 2” under the valve box for proper ventilation and drainage.

WARNING: If the enclosure is to be used as a seating area/surface, it MUST be sufficiently large enough to prevent personal injury from your fire feature in windy conditions. Wind is very unpredictable and can move the flame a significant amount horizontally.

WARRANTY REQUIREMENT: Do not daisy chain wiring for multiple Fire Pit installations. Each Fire Pit must have dedicated wiring.

WARRANTY REQUIREMENT: The enclosure must be constructed on a stable surface. The weight of the fire pit must be supported by the pan and not by any control/valve box. For electronic ignition models the control/valve box must be above grade with adequate drainage to prevent water damage to the controls inside the box. *Make sure that the structure is level.

17) Installation of a Fire Pit

Installation
 We suggest that our products be installed by professionals that are locally licensed by the authority having jurisdiction in gas piping.

WARNING: We suggest that our products be installed by professionals that are locally licensed by the authority having jurisdiction in gas piping.

WARNING: Confirm this appliance is built for gas used – natural gas or LP. Do not use natural gas appliance with LP or LP appliance with natural gas. Refer to the label on the appliance.

WARNING: To prevent damage, unhook fire pit from gas supply for pressure leak tests.

WARNING: Fuel line sizing is the responsibility of the installer and *must* be able to supply the stated maximum BTU for the product.

WARNING: Burn Testing- It is the responsibility of the qualified installer to test for gas leaks at all connections.

WARNING: When filling the pan with lava rock and/or decorative glass, the instructions in Section 5 must be followed.

WARNING: Gas Plumbing Connections: Use only joint compound or tape that is resistant to all gases. Apply joint compound to all male pipe fittings only- DO NOT use on FLARED fittings. Be sure to tighten every joint securely.

WARRANTY REQUIREMENT: For Electronic Ignition Models the Warranty is void if valve box is opened.

- Refer to cut sheets on our Web-Site for important dimensional information for your optional fire pit.
- Plan your project well in advance to comply with all instruction and codes and allow for access and serviceability of the product.
- Purge gas lines of air.
- Perform all leak tests with leak detector or leak reactant.
- Verify correct gas type and pressure.
- Perform leak test on main gas supply. Repair leaks as necessary.
- Shut Off Gas Supply and Power to fire-pit.
- Connect fire-pit to main gas supply. If using flex line avoid sharp bends with flex line to prevent whistling.
- Turn on gas supply and perform leak test on all inlet connections. Repair as needed.
- For electronic ignition models hook up proper 110VAC electrical power following all local codes.
- Position fire pit safely with access to all gas connections for testing.
- Light fire pit. It may take several cycles to purge air from the lines.
- For electronic ignition models apply proper 110VAC.
- Once fire pit is lit perform leak test on all gas connections. Repair as needed.
- Turn off fire pit and allow it to cool.
- Apply media as described in (Section 5).
- Turn on fire pit again and perform leak test with media correctly installed. If gas leak is detected verify correct media application and repair as needed.
- Verify correct operation and lighting.
- Review safety manual with end user and instruct not to change/ modify fire pit or media.
- Leave manual with end user.



IMPORTANT: On electronic ignition models please apply the Start Up and Shutdown decal next to control switch in an obvious position.

18) Media

WARNING: FOR GLASS MEDIA USAGE WITH LP GAS- WHEN USING APPROVED DECORATIVE GLASS TO COVER BURNER APPLY ONLY ENOUGH TO HIDE BURNER. APPLYING OVER 1/2" MAY CREATE BACK PRESSURE AND GAS LEAKAGE FROM AIR MIXER RESULTING IN LP POOLING UNDER FIRE PIT.

WARNING: FOR GLASS MEDIA USAGE WITH LP GAS- THE UNIT MUST BE TESTED WITH MEDIA OVER BURNER FOR CONFIRMATION OF NO BACK PRESSURE CREATING GAS TO LEAK OUT OF AIR MIXER VENTURI HOLES. THIS MAY HAVE TO BE DONE PRIOR TO PLACING IN ENCLOSURE IF NO ACCESS DOOR.

WARNING: The fire pit is designed to use approved media correctly installed over the burner to achieve proper combustion.

WARRANTY REQUIREMENT: Never install a mesh or screen under the media.

IMPORTANT: Media affects flame pattern greatly. It is possible to create an unusual flame pattern that could damage your enclosure. Enclosure damage from an open flame fire feature is not covered under any warranty.

IMPORTANT: The use of concrete logs is not recommended.

Lava Rock & Glass Application

Please follow the instructions below to add the finishing touch to your fire pit. Particular attention needs to be on the pilot assembly area. Incorrect media installation will cause the pilot flame to suffocate and turn off pit or delay main burner ignition.

Lava Rock Only Application

- 1) Install your fire pit per instructions.



- 2) Apply lava rock ONLY deep enough to cover ring and pan- less than 2" above fire ring.



For Electronic Ignition

- 3) Blow Out Box: Do not cover vents with lava rock- leave open. Do not allow any rock to block flame opening.



4)

Blowout Box: Do not cover blowout box vents or opening with lava rock or glass. Incorrect media installation will cause the pilot flame to suffocate and turn off pit or delay main burner ignition.

Decorative Glass Application

- 1) Install your fire pit per instructions.



- 2) Fill Pan with glass. Cover Burner with 1/8 to 1/4" of glass. Do not over fill with glass. All LP installations must be checked for back pressure with media installed. Failure to do so may result in personal injury or property damage.



For Electronic Ignition

- 3) **Blowout Box:** Do not cover blowout box vents or opening with lava rock or glass. Incorrect media installation will cause the pilot flame to suffocate and turn off pit or delay main burner ignition.



DO NOT COVER VENTS!



DO NOT COVER PILOT OPENING!

19) Parts Lists

- | | |
|---------------------------------|-----------------|
| 1) Electronic Ignition Fire Pit | 3) Cover |
| 2) Lava Rock | 4) Instructions |

20) Fire Pit Operation

WARNING: Before use, be sure to test all gas connections for leaks. Do not use fire pit if there is any evidence of leaking gas. If leaking gas suspected, turn off the main gas supply and repair immediately.

WARNING: Do not use the enclosure as a seating area. Wind and gusty conditions will affect the flame in an unpredictable manner. If conditions exist that are not safe for patrons turn the fire pit off.

WARNING: Do not use fire pit if any part has been submerged under water. Immediately call a qualified service technician to inspect the fire pit.

WARNING: For electronic ignition models power to fire pit must be turned off via wall switch or breaker when not in operation.

WARNING: Never use any material that is non-porous and holds moisture such as gravel, pebbles, river rock, etc. This material, when heated will cause the trapped moisture to boil and fracture unexpectedly. This material is not sufficiently porous to allow heated steam to readily escape which can break and cause personal injury or damage.

WARNING: Solid fuels shall not be burned in the fire pit. Leaves, sticks, wood, paper, clothing, food material, should be kept away from the fire pit. Fire Pit is not for cooking. Make sure that there is no vegetation or other objects over the top or sides of the fire pit that could interfere with safe operation. See clearances in section 2 Selecting the Location.

WARNING: If lava rock is wet, allow fire pit to burn for 45 minutes prior to coming within 15 feet of the fire pit.

WARRANTY REQUIREMENT: When not in use the fire pit must be covered at all times.

Electronic Ignition Fire Pit Start Up:

Initial Start-up: Several “on/off” cycles may be necessary to purge air in gas lines after system installation. Fire pit will lockout after 15 attempts to light pilot. Please power OFF then ON to restart.

Sequence of Operation:

1. The hot wire igniter will be powered (glow red) for 5 seconds before pilot valve opens.
2. The hot wire igniter will only be powered the initial 15 seconds of the 60 second pilot cycle. This sequence will repeat up to 15 times (~15 minutes) before going into lockout. To reset, turn “OFF” power then back “ON” again.
3. Pilot flame will ignite and warm thermocouple- it may take 30 seconds at times for thermocouple to get hot. If thermocouple is not hot in 60 seconds, system will shut down then go back to Step 1.
4. Once thermocouple is hot, main valve will open allowing main burner to ignite.
5. If pilot flame is blown out at any time, system will shut down, then automatically restart (Step 1).

IMPORTANT: If power to the fire pit is turned “Off” then immediately turned back “On” the system will go into lockout mode. To reset, turn off, wait 5 minutes, then turn on.

WARNING: - OVERHEATING: The fire pit will automatically close gas valve if temperature exceeds 175° F inside valve box to prevent component damage. When unit cools below 175° F, the unit will automatically restart. To correct overheating, ensure enclosure has adequate ventilation- see “Construction of Enclosure”.

21) Maintenance

WARNING: Any guard or protective device removed for servicing must be replaced prior to operating the fire pit.


WARNING: We suggest that our products be serviced annually by a professional certified in the US by the National Fireplace Institute (NFI) as NFI Gas Specialists.

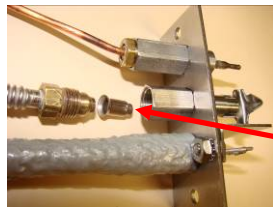
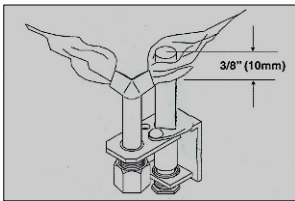
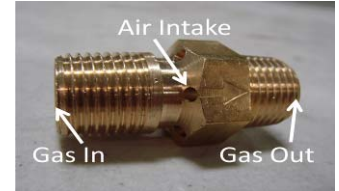
WARNING: Ensure gas and power (if applicable) are shut off and fire pit is cool before servicing.

- Keep fire pit covered at all times when not in use.
- Keep any debris out of fire pit- clean as needed.
- In some areas of the country spiders or insects have been known to build nest and or lay eggs in the venturi holes of the air-mixer for LP units. This can cause fuel to fill the feature cavity and result in personal injury or property damage. Periodical inspection by a qualified service technician of the air-intake is required to ensure your fire feature performs properly.
- Ring Cleaning: (1 x YR) If flames exhibit any abnormal shapes or behavior, or if burner fails to ignite properly, then the burner holes may require cleaning. The appliance can be cleaned by carefully removing the media to allow access to burner. Use a brush to carefully remove dust, spider webs, and loose particles from base, logs, and fire ring itself. If evidence of damage, fire ring must be replaced with fire ring specified by manufacturer.
- Thermocouple Cleaning of Soot: (1 x 6 mos. or as needed) Remove lava rock & glass around pilot, then the blow out box lid. Clean thermocouple of any soot using soft brush. Be careful not to damage hot wire element. Place lava rock or glass back as explained in section 5.
- Visually inspect the pilot- The pilot flame should cover 3/8” to 1/2” of the thermocouple as shown below. Cleaning of orifice may be required by removing the pilot tube and removing orifice as shown below. Perform leak test on pilot tube after re-assembly.

Service

We suggest that our products be serviced by a professional certified in the US by the National Fireplace Institute (NFI) as NFI Gas Specialists.





Orifice

22) Troubleshooting

Below are some potential causes and countermeasures to the symptoms indicated in bold. Please contact your retailer or certified technician for service & repair.

WARRANTY REQUIREMENT: Warranty is void if valve box is opened.

Hot Wire Will Not Glow

1. No power to unit.
2. Hi Limit Temp. Switch Tripping
3. Hot wire element damaged
4. Damaged wires.

Confirm breaker, wall switch, and remote are on (120Vac)
 Inadequate venting- see proper venting in “Construction of Enclosure”
 Change hot wire element.
 Inspect wires to hot wire- confirm insulation is in good condition and connections are tight.

No Pilot Flame (Hot Wire Glows)

1. Air in gas line.
2. Debris in gas line.
3. Gas Pressure Improper
4. Pilot Orifice Dirty

If new install, may take several attempts to purge air
 Confirm gas line is clear (insulation, dirt, plastic etc..)
 Confirm proper gas pressure (Section 1)
 Remove pilot head and clean (Section 8)

No Main Burner (Pilot Lights)

1. Gas Pressure Improper
2. Small Pilot Flame
3. Dirty Thermocouple
4. Fire Ring Obstructed
5. Improperly applied Media

Confirm proper gas pressure (Section 1)
 Remove pilot head and clean orifice. (Section 8)
 Clean using soft brush (Section 8)
 Confirm no debris or water in ring (Always cover fire pit!)
 See (Section 5)

Main Burner Turning Off/On Frequently

- | | |
|-----------------------------|---|
| 1. Small Pilot Flame | Remove pilot head and clean orifice (Section 8) |
| 2. Improperly applied Media | See (Section 5) |
| 3. Gas Pressure Improper | Gas pressure too low (Section 1) |
| 4. Thermocouple Defective | Change Thermocouple. |

23) Replacement Parts

Please see list below for replacement parts as needed. Please contact your dealer for these parts- if unsure please contact HPC and we will be happy to help you.

Common Components:

	Model #	Fire Ring	Pan	Flex Line	Control Box
Bowl Style Round Burner	13SS90HWI	FRS-12	570-13	SSC-HC24	MVK HW90-X

Thermocouple	311-T/C
Igniter Repair Kit	HWI-913/Shield
Pilot Gas Line	654
Blow Out Box	598HWI
Insulation	FPI-13SQ
Lava Rock	657

For Fire On Water (FOW) Systems please contact your dealer.

24) Warranty

Limited Warranty

Hearth Products Controls Company (HPC) warranties HWI fire pits against manufacturing defects that prevent safe and correct function as follows:

- **Electronics, Gas Valve, : Commercial-1yr; Residential- 3 yr.**
- **Pilot Assy : Commercial-1 yr.; Residential-2 yr.**
- **Stainless Steel Pan, Fire Ring, & Valve Box: Commercial-1yr.; Residential 5yrs.**

This commences from the date of original sale / shipment from HPC FOB Dayton, Ohio.

This warranty is for parts and in-house (HPC) labor. The defective product must be sent back to HPC with a Return Merchandise Authorization (RMA) issued by HPC for that specific product and any other additional information for the nature of the defect or warranty claim.

The warranty does not cover items that have been damaged by overheating, modification, abuse, or improper storage. Also any labor involving installation or maintenance with the unit is not covered.

This warranty excludes claims for consequential, indirect-collateral expenses arising from product defects or warranty recovery.